

DS-MH2211(C) Body Camera



- 2K recording.
- Max. 40 M (8832 × 4960) resolution of the captured picture.
- Transmits videos to central video platform via 4G wireless communication.
- GPS positioning module, uploading the location information to the center in real time.
- IR function to recognize the facial features in the captured picture even in dim environment.
- Waterproof, dustproof, and anti-fall with 1.8 m fall protection height, applicable to all-day field work.
- 3G/4G/Wi-Fi network connection with flexible wireless transmission.

▪ Specification

| Camera | |
|---------------------------------------|---|
| Image Sensor | 1/3" progressive scan CMOS |
| Max. Recording Resolution | 2688 × 1512 |
| Min. Illumination | Color: 0.15 Lux @ (F2.0, AGC ON), 0 Lux with supplement light |
| Day & Night | Switch IR cut filter automatically |
| Zoom | 4 × digital |
| White Light | Supported |
| Lens | |
| Focal Length | 2.4 mm fixed lens |
| FOV | Horizontal FOV: 129°, vertical FOV: 75°, diagonal FOV: 144° |
| Aperture | F2.0 |
| Event | |
| Face Capture | Supported |
| Video | |
| Video Compression | H.264, H.265 |
| Video Format | MP4, PS |
| Main Stream | 60 Hz: 30 fps (2688 × 1512, 1920 × 1080, 1280 × 720, 720 × 576) |
| Sub-Stream | 30 fps (1920 × 1080, 1280 × 720, 720 × 576) |
| Pre-record & Post-record | Pre-record: 60/10/5/3 s, Post-record: 60/10/5/3 s |
| Audio | |
| Audio Compression for Video Recording | AAC, G722 |
| Audio Compression for Audio Recording | PCM |
| Audio Compression for Group Intercom | G711.A, G711.U, G722 |
| Audio Bit Rate | G722 (16 kbps), AAC (dynamic), PCM (256 kbps), G711.A (64 kbps), G711.U (64 kbps) |
| Image | |
| Image Format | JPEG |
| Screen | |
| Display Resolution | 320 × 240 |
| Screen Size | 2.4" |
| Touchscreen | Supported |
| Storage | |
| RAM | 2 GB |
| ROM | 32 GB by default, 64/128/256 GB optional |
| IR | |
| IR Range | Up to 10 m |
| IR Wavelength | 850 nm |
| Wireless Network | |
| Bluetooth | BT4.2 |
| Wi-Fi Protocol | 802.11 a/b/g/n/ac |
| Wi-Fi Frequency Band | 2.412 to 2.472 GHz, 5.15 to 5.25 GHz, 5.725 to 5.875 GHz |

| | |
|---------------------|--|
| Cellular Network | Only available for models with /GLE: GSM: 850/900/1800/1900 WCDMA: B1/B8 FDD-LTE: B1/B2/B3/B4/B5/B7/B8/B20/B28 TDD-LTE: B38/B39/B40/B41 |
| Positioning Mode | GPS |
| Network | |
| Protocol | HTTPS, RTSP, NTP, FTP |
| API | ISAPI, SDK, ISUP |
| Interface | |
| Indicator | 2 indicator(s) for charging/working/recording/exception |
| Button | Power, Video recording, SOS, PTT, Picture capture, Audio recording |
| SIM Card | SIM card slot (fit for Nano-SIM card) |
| Charging Interface | Mini USB, Pogo Pin |
| USB | 1 USB 2.0 port(s) |
| Laser Positioning | Supported |
| General | |
| Operating Condition | -20 °C to 55 °C (-4 °F to 131 °F). Humidity 95% or less (non-condensing) |
| Power | 5 VDC, 2.0 A, max. 10 W |
| Dimensions | 95 mm × 60 mm × 31.5 mm (3.7" × 2.4" × 1.2") |
| Weight | 190 g (without mounting) (0.4 lb.) |
| Operating System | Android 9.0 |
| Client | Hik-Connect, HikCentral Pro, HikCentral Master |
| MIC | Supported |
| Speaker | 1 built-in speaker(s), max. power consumption: 1 W, max. sound pressure level: 92 dB (10 cm) |
| Battery | |
| Battery Type | Lithium-ion battery, dismountable |
| Capacity | 3300 mAh |
| Charging Time | ≤ 4 h |
| Battery Duration | Up to 12 h in 720p resolution ¹ |
| Approval | |
| RF | EN 300 328 V2.1.1 (BT or 2.4G), EN 62311:2008 (BT or 2.4G), EN 55032:2015, EN 61000-3-2:2014, EN 61000-3-3:2013, EN 50130-4:2011+A1:2014) |
| EMC | CE-EMC: EN 55032: 2015, EN 61000-3-2: 2019, EN 61000-3-3: 2013, EN 50130-4: 2011 +A1: 2014 |
| Safety | CB: IEC 62368-1: 2014+A11, IEC 62368-1: 2018, CE-LVD: EN 62368-1: 2014/A11: 2017, EN IEC 62368-1:2020+A11:2020, CE-LVD: EN 62368-1: 2014/A11: 2017 |
| Environment | CE-RoHS: 2011/65/EU, WEEE: 2012/19/EU, Reach: Regulation (EC) No 1907/2006 |
| Protection | IP67: IEC 60529-2013, MIL STD 810G (2008) |

1: This is a basic estimation of battery working life only when recording is on. Additional power consumption should be considered when IR, GPS, and/or network connection is on.

▪ Available Model

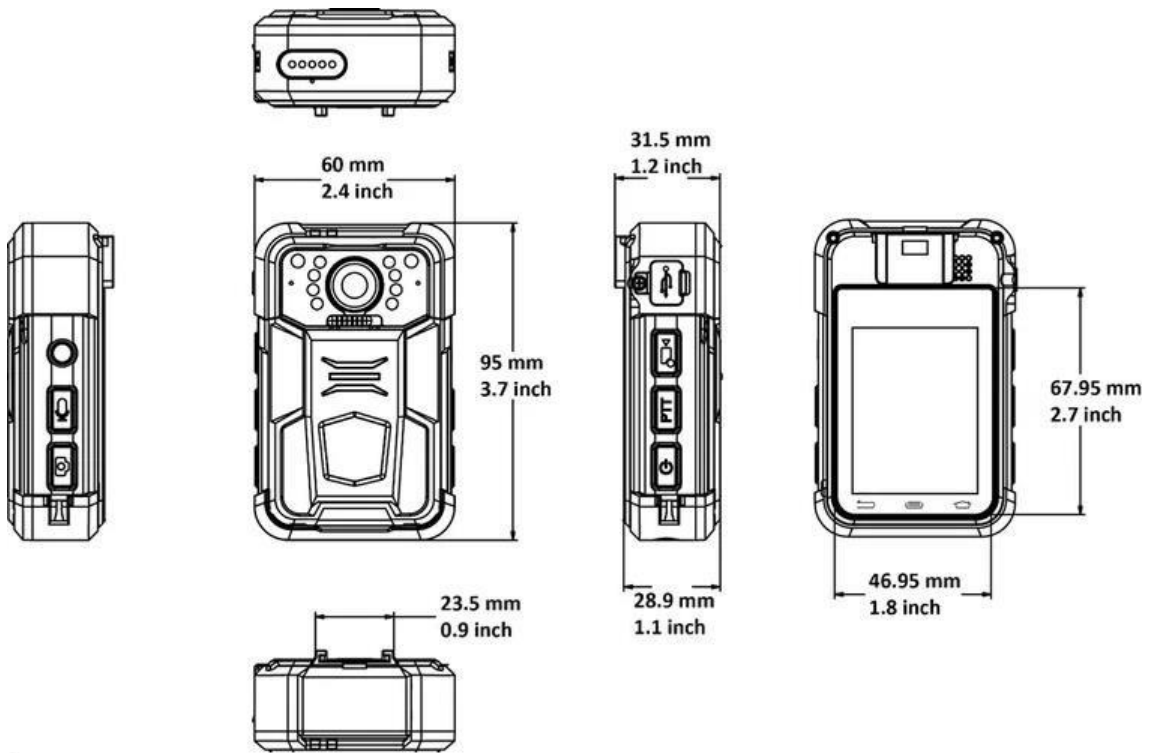
[DS-MH2211/32G/GLE\(C\)](#)

test

2024-10-18 12:24:07

CAMBIAR POR MH2311(A)

▪ Dimension



▪ **Accessory**

▪ **Included**



▪ **Optional**

| DS-MH1721 Oblique Shoulder Harness | DS-MH1412-N1 6 Ports Body Camera Charge Cradle | DS-MH1712 Clip of Body Camera | DS-MH1717 Body Camera-Magnetic Clip | DS-MH1716 Body Camera-Alligator Clip |
|---|---|--|---|--|
|  |  |  |  |  |
| <p style="text-align: center;">DS-MH1715 Body Camera-Wearable Clip</p>  | | | | |

Headquarters

No.555 Qianmo Road, Binjiang District,
Hangzhou 310051, China
T +86-571-8807-5998
www.hikvision.com



Follow us on social media to get the latest product and solution information.

