

DS-2CD3121G2-I 2 MP Fixed Dome Network Camera



Hikvision has been dedicated to develop products with security since established. Hikvision always follows security by design principle and has adopted many methods of security technologies into our product development lifecycle, including terminal security, data security, application security, network security, and privacy protection. In the meantime, the security technologies used by Hikvision are all in compliance with local applicable laws and safety regulations. These security measures could enhance product's cyber security protection capability and protect your devices as well as your data from malicious cyber attacks.

- High quality imaging with 2 MP resolution
- Efficient H.265+ compression technology to save bandwidth and storage
- Clear imaging against strong back light due to 120dB WDR technology
- 3D DNR technology delivers clean and sharp images
- Easy installation with Power over Ethernet (PoE) technology
- Water and dust resistant (IP67) and vandal proof (IK10)
- Support Human and Vehicle Detection

▪ Specification

Camera		
Image Sensor	4	1/2.7" Progressive Scan CMOS
Max. Resolution		1920 × 1080
Shutter Time		1/3 s to 1/100,000 s
Min. Illumination		Color: 0.005 Lux @ (F1.6, AGC ON), 0 Lux with IR
Day & Night	3	IR cut filter
Angle Adjustment		Pan: 0° to 355°, tilt: 0° to 75°, rotate: 0° to 355°
Lens		
Lens Type		Fixed focal lens, 2.8 and 4 mm optional
Focal Length & FOV		2.8 mm, horizontal FOV 111°, vertical FOV 59°, diagonal FOV 133° 4 mm, horizontal FOV 91°, vertical FOV 46°, diagonal FOV 109°
Lens Mount		M12
Iris Type		Fixed
Aperture		F1.6
DORI		
DORI		2.8 mm, D: 43 m, O: 17 m, R: 9 m, I: 5 m 4 mm, D: 53 m, O: 21 m, R: 11 m, I: 6 m
Illuminator		
Supplement Light Type		IR
Supplement Light Range		Up to 40 m
Smart Supplement Light		Yes
IR Wavelength		850 nm
Video		
Main Stream	1,2	50 Hz: 25 fps (1920 × 1080, 1280 × 720) 60 Hz: 30 fps (1920 × 1080, 1280 × 720)
Sub-Stream		50 Hz: 25 fps (640 × 480, 640 × 360) 60 Hz: 30 fps (640 × 480, 640 × 360)
Third Stream		50 Hz: 1 fps (640 × 360) 60 Hz: 1 fps (640 × 360)
Video Compression	6,7	Main stream: H.265+/H.265/H.264+/H.264 Sub-stream: H.265/H.264/MJPEG Third stream: H.265/H.264
Video Bit Rate		32 Kbps to 8 Mbps
H.264 Type		Baseline Profile/Main Profile/High Profile
H.265 Type		Main Profile
Bit Rate Control		CBR/VBR
Region of Interest (ROI)		1 fixed region for main stream and sub stream
Network		
Security		Password protection, complicated password, HTTPS encryption, 802.1X authentication (EAP-MD5), watermark, basic and digest authentication for HTTP/HTTPS, WSSE and digest authentication for Open Network Video Interface, RTP/RTSP over HTTPS, security audit log, TLS 1.2, TLS 1.3, host authentication (MAC address)
Simultaneous Live View		Up to 6 channels
API		Open Network Video Interface (Profile S, Profile T), ISAPI, SDK

	10	8
Protocols	TCP/IP, ICMP, DHCP, DNS, HTTP, RTP, RTSP, RTCP, NTP, IGMP, IPv4, IPv6, UDP, QoS, FTP, SMTP, HTTPS, DDNS, UPnP, IEEE 802.1X	
User/Host	Up to 32 users 3 user levels: administrator, operator, and user	
Client	iVMS-4200, Hik-Connect	
Web Browser	Plug-in required live view: IE 10, IE 11 Local service: Chrome 57.0+, Firefox 52.0+	
Image		
Wide Dynamic Range (WDR)	120 dB	
SNR	≥ 52 dB	
Day/Night Switch	Day, Night, Auto, Schedule	
Image Enhancement	BLC, HLC, 3D DNR	
Image Settings	Rotate mode, saturation, brightness, contrast, sharpness, gain, white balance, adjustable by client software or web browser	
Privacy Mask	4 programmable polygon privacy masks	
Interface		
Ethernet Interface	9	1 RJ45 10 M/100 M Base-T self-adaptive Ethernet port
Event		
Basic Event	5	Motion detection (support alarm triggering by specified target types (human and vehicle)), video tampering alarm, exception
Smart Event	Line crossing detection, intrusion detection	
Linkage	Upload to FTP, send email, notify surveillance center, trigger capture	
General		
Power	9	12 VDC ± 25%, 0.4 A, max. 5 W, Ø5.5 mm coaxial power plug, PoE: IEEE 802.3af, Class 3, 36 V to 57 V, 0.2 A to 0.15 A, max. 6.5 W
Material	Base: Metal, cover: Plastic	
Dimension	Ø110.8 mm × 84.7 mm (Ø4.4" × 3.3")	
Package Dimension	135 mm × 135 mm × 110 mm (5.3" × 5.3" × 4.3")	
Weight	Approx. 497 g (1.1 lb.)	
With Package Weight	Approx. 597 g (1.3 lb.)	
Storage Conditions	-30 °C to 60 °C (-22 °F to 140 °F). Humidity 95% or less (non-condensing)	
Startup and Operating Conditions	-30 °C to 60 °C (-22 °F to 140 °F). Humidity 95% or less (non-condensing)	
Language	English, Ukrainian	
General Function	Heartbeat, anti-banding, mirror, password protection, password reset via email, pixel counter	
Approval		
EMC	FCC: 47 CFR Part 15, Subpart B	
Safety	CB: IEC 62368-1: 2014+A11, CE-LVD: EN 62368-1: 2014/A11: 2017, BIS: IS 13252 (Part 1): 2010/ IEC 60950-1: 2005	
Environment	CE-RoHS: 2011/65/EU	
Protection	IP67: IEC 60529-2013, IK10: IEC 62262:2002	

▪ Typical Application

Hikvision products are classified into three levels according to their anti-corrosion performance. Refer to the following

description to choose for your using environment.

This model has NO SPECIFIC PROTECTION.

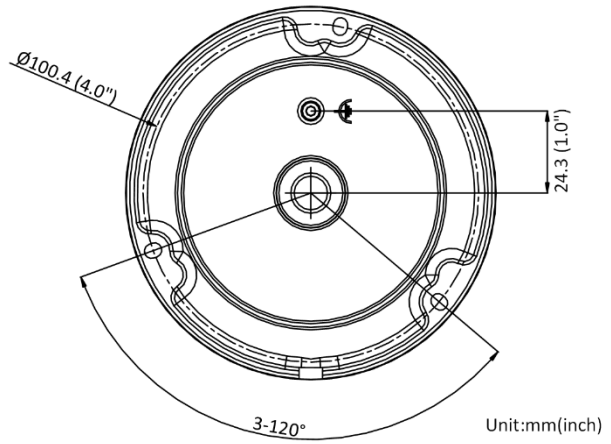
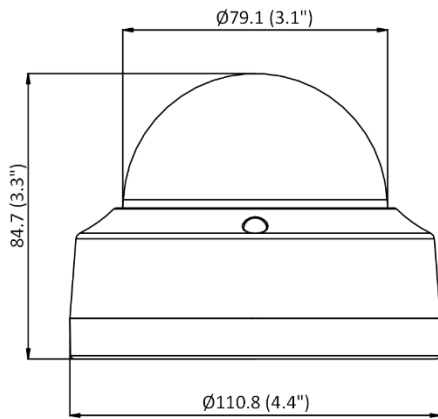
Level	Description
Top-level protection	Hikvision products at this level are equipped for use in areas where professional anti-corrosion protection is a must. Typical application scenarios include coastlines, docks, chemical plants, and more.
Moderate protection	Hikvision products at this level are equipped for use in areas with moderate anti-corrosion demands. Typical application scenarios include coastal areas about 2 kilometers (1.24 miles) away from coastlines, as well as areas affected by acid rain.
No specific protection	Hikvision products at this level are equipped for use in areas where no specific anti-corrosion protection is needed.

▪ Available Model

DS-2CD3121G2-I(2.8mm)

DS-2CD3121G2-I(4mm)

▪ Dimension



▪ **Accessory**

▪ **Optional**

<p>DS-1272ZJ-110B Wall mount</p> 	<p>DS-1258ZJ Wall mount</p> 	<p>DS-1272ZJ-110 Wall mount</p> 	<p>DS-1271ZJ-110 Pendant Mount</p> 	<p>DS-1275ZJ-SUS Vertical pole mount</p> 
<p>DS-1276ZJ-SUS Corner mount</p> 	<p>DS-1280ZJ-DM18 Junction box</p> 	<p>DS-1259ZJ Inclined ceiling mount</p> 	<p>DS-1250ZJ Water-proof</p> 	<p>DS-2280ZJ-WA110 Junction box</p> 
<p>DS-2210ZJ-WA-110 Pendant Mount</p> 	<p>DS-2200ZJ-WA-110 Wall mount</p> 	<p>DS-2200ZJ-WAJ-110 Wall mount</p> 		

Headquarters

No.555 Qianmo Road, Binjiang District,
Hangzhou 310051, China
T +86-571-8807-5998
www.hikvision.com



Follow us on social media to get the latest product and solution information.

