

## DS-2CD3621G2-IZS 2MP Varifocal Bullet Network Camera



Hikvision has been dedicated to develop products with security since established. Hikvision always follows security by design principle and has adopted many methods of security technologies into our product development lifecycle, including terminal security, data security, application security, network security, and privacy protection. In the meantime, the security technologies used by Hikvision are all in compliance with local applicable laws and safety regulations. These security measures could enhance product's cyber security protection capability and protect your devices as well as your data from malicious cyber attacks.

- High quality imaging with 2 MP resolution
- Efficient H.265+ compression technology to save bandwidth and storage
- Clear imaging against strong back light due to WDR technology
- 3D DNR technology delivers clean and sharp images
- Easy installation with Power over Ethernet (PoE) technology
- Water and dust resistant (IP67)

## ▪ Specification

Camera	
Image Sensor	5 1/2.8" Progressive Scan CMOS
Max. Resolution	1920 × 1080
Shutter Time	1/3 s to 1/100,000 s
Min. Illumination	4 Color: 0.005 Lux @ (F1.6, AGC ON), Black/White: 0 Lux with light
Day & Night	3 IR cut filter
Angle Adjustment	Pan: 0° to 360°, tilt: 0° to 90°, rotate: 0° to 360°
Lens	
Lens Type	Varifocal lens, motorized lens, 2.7 to 13.5 mm
Focal Length & FOV	6 2.7 to 13.5 mm, horizontal FOV 111.5° to 33.4°, vertical FOV 58.4° to 18.8°, diagonal FOV 134.3° to 38.3°;
Lens Mount	Integrated
Iris Type	Fixed
Aperture	Max. F1.6
Depth of Field	Wide: 0.7 m to ∞ Tele: 2.7 m to ∞
DORI	
DORI	Wide: D: 42.7 m, O: 16.9 m, R: 8.5 m, I: 4.3 m Tele: D: 132 m, O: 52.4 m, R: 26.4 m, I: 13.2 m
Illuminator	
Supplement Light Type	IR
Supplement Light Range	Up to 60 m
Smart Supplement Light	Yes
IR Wavelength	850 nm
Video	
Main Stream	1,2 50 Hz: 25 fps (1920 × 1080, 1280 × 720) 60 Hz: 30 fps (1920 × 1080, 1280 × 720)
Sub-Stream	50 Hz: 25 fps (640 × 480, 640 × 360) 60 Hz: 30 fps (640 × 480, 640 × 360)
Third Stream	50 Hz: 1 fps (640 × 360) 60 Hz: 1 fps (640 × 360)
Video Compression	9,11 Main stream: H.265+/H.265/H.264+/H.264, Sub-stream: H.265/H.264/MJPEG, Third stream: H.265/H.264
Video Bit Rate	32 Kbps to 8 Mbps
H.264 Type	Baseline Profile, Main Profile, High Profile
H.265 Type	Main Profile
Bit Rate Control	CBR, VBR
Region of Interest (ROI)	1 fixed region for main stream and sub-stream
Audio	
Audio Type	Mono sound
Environment Noise Filtering	Yes
Audio Sampling Rate	8 kHz/16 kHz
Audio Compression	G.711/G.722.1/G.726/MP2L2/PCM/MP3/AAC-LC

Audio Bit Rate	64 Kbps (G.711ulaw/G.711alaw)/16 Kbps (G.722.1)/16 Kbps (G.726)/32 to 192 Kbps (MP2L2)/8 to 320 Kbps (MP3)/16 to 64 Kbps (AAC-LC)	
<b>Network</b>		
Security	Password protection, complicated password, HTTPS encryption, 802.1X authentication (EAP-MD5), watermark, basic and digest authentication for HTTP/HTTPS, WSSE and digest authentication for Open Network Video Interface, RTP/RTSP over HTTPS, security audit log, TLS 1.2, TLS 1.3, host authentication (MAC address)	
Simultaneous Live View	Up to 6 channels	
API	Open Network Video Interface (Profile S, Profile T, Profile G), ISAPI, SDK <span style="border: 1px solid red; padding: 2px;">18</span>	
Protocols	<span style="border: 1px solid red; padding: 2px;">16</span>	TCP/IP, ICMP, DHCP, DNS, HTTP, RTP, RTSP, RTCP, NTP, IGMP, IPv4, IPv6, UDP, QoS, FTP, SMTP, HTTPS, DDNS, UPnP, IEEE 802.1X, SNMP, ONVIF <span style="border: 1px solid red; padding: 2px;">12</span>
User/Host		Up to 32 users 3 user levels: administrator, operator, and user <span style="border: 1px solid red; padding: 2px;">10</span>
Client	iVMS-4200, Hik-Connect	
Web Browser	Plug-in required live view: IE 10, IE 11, Local service: Chrome 57.0+, Firefox 52.0+, Edge 89+	
<b>Image</b>		
<span style="border: 1px solid red; padding: 2px;">8</span>	Wide Dynamic Range (WDR)	120 dB
	SNR	≥ 52 dB
	Day/Night Switch	Day, Night, Auto, Schedule
	Image Enhancement	BLC, HLC, 3D DNR
	Image Settings	Rotate mode, saturation, brightness, contrast, sharpness, gain, white balance, adjustable by client software or web browser
	Privacy Mask	4 programmable polygon privacy masks
<b>Interface</b>		
	Ethernet Interface	<span style="border: 1px solid red; padding: 2px;">13</span> 1 RJ45 10 M/100 M Base-T self-adaptive Ethernet port
	On-Board Storage	<span style="border: 1px solid red; padding: 2px;">17</span> Built-in memory card slot, support microSD/microSDHC/microSDXC card, up to 256 GB
	Audio	1 input (line in), two-core terminal block, max. input amplitude: 3.3 Vpp, input impedance: 4.7 KΩ, interface type: non-equilibrium, 1 output (line out), two-core terminal block, max. output amplitude: 3.3 Vpp, output impedance: 100 Ω, interface type: non-equilibrium
	Alarm	1 input, 1 output (max. 12 VDC, 30 mA)
	Reset Key	Yes
<b>Event</b>		
	Basic Event	<span style="border: 1px solid red; padding: 2px;">7</span> Motion detection (support alarm triggering by specified target types (human and vehicle)), video tampering alarm, exception
	Smart Event	Line crossing detection, intrusion detection
	Linkage	Upload to FTP/NAS/memory card, notify surveillance center, send email, trigger recording, trigger capture
<b>General</b>		
	Power	12 VDC ± 25%, 0.86 A, max. 12.9 W, Ø5.5 mm coaxial power plug, reverse polarity protection, <span style="border: 1px solid red; padding: 2px;">13</span> PoE: IEEE 802.3af, Class 3
	Material	Metal
	Dimension	Ø105 mm × 252 mm (Ø4.1" × 9.9")
	Package Dimension	280 mm × 135 mm × 135 mm (11.0" × 5.3" × 5.3")

Weight		Approx. 962 g (2.21 lb.)
With Package Weight		Approx. 1493 g (3.29 lb.)
Storage Conditions		-30 °C to 60 °C (-22 °F to 140 °F). Humidity 95% or less (non-condensing)
Startup and Operating Conditions	15	-30 °C to 60 °C (-22 °F to 140 °F). Humidity 95% or less (non-condensing)
Language		English, Turkish, Polish, Romanian, Czech, Slovak, Traditional Chinese, Thai, Vietnamese, Croatian, Slovenian, Serbian, Ukrainian
General Function		Heartbeat,mirror,password reset via email,pixel counter,password protection,anti-banding
<b>Approval</b>		
EMC		CE-EMC: EN 55032: 2015, EN 61000-3-2:2019, EN 61000-3-3: 2013+A1:2019, EN 50130-4: 2011 +A1: 2014
Safety	19	CB: IEC 62368-1: 2014+A11, CE-LVD: EN 62368-1: 2014/A11: 2017, BIS: IS 13252 (Part 1): 2010/IEC 60950-1: 2005
Environment		CE-RoHS: 2011/65/EU
Protection	14	IP67: IEC 60529-2013

## ▪ Typical Application

Hikvision products are classified into three levels according to their anti-corrosion performance. Refer to the following description to choose for your using environment.

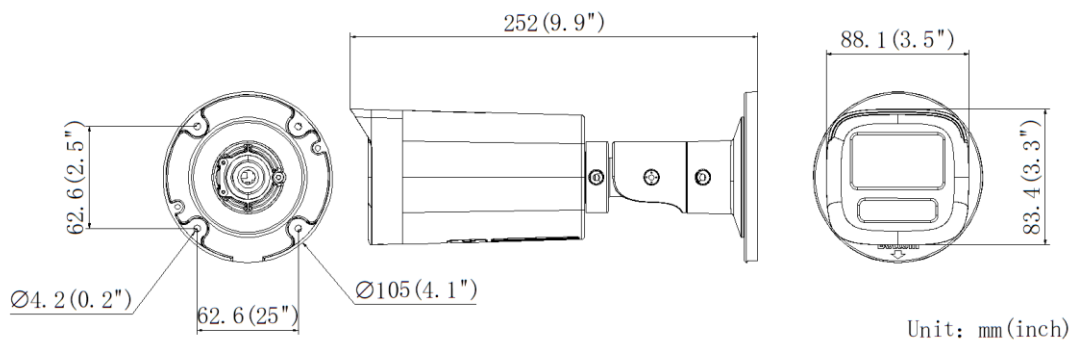
This model has NO SPECIFIC PROTECTION.

Level	Description
Top-level protection	Hikvision products at this level are equipped for use in areas where professional anti-corrosion protection is a must. Typical application scenarios include coastlines, docks, chemical plants, and more.
Moderate protection	Hikvision products at this level are equipped for use in areas with moderate anti-corrosion demands. Typical application scenarios include coastal areas about 2 kilometers (1.24 miles) away from coastlines, as well as areas affected by acid rain.
No specific protection	Hikvision products at this level are equipped for use in areas where no specific anti-corrosion protection is needed.

## ▪ Available Model

DS-2CD3621G2-IZS(2.7-13.5mm)

▪ **Dimension**



▪ **Accessory**

▪ **Optional**

DS-1275ZJ-SUS Vertical pole mount	DS-1276ZJ-SUS Corner mount	DS-1260ZJ Junction box	DS-1280ZJ-S Junction box	DS-1275ZJ-S-SUS Vertical pole mount
				

**Headquarters**

No.555 Qianmo Road, Binjiang District,  
Hangzhou 310051, China  
T +86-571-8807-5998  
www.hikvision.com



Follow us on social media to get the latest product and solution information.

