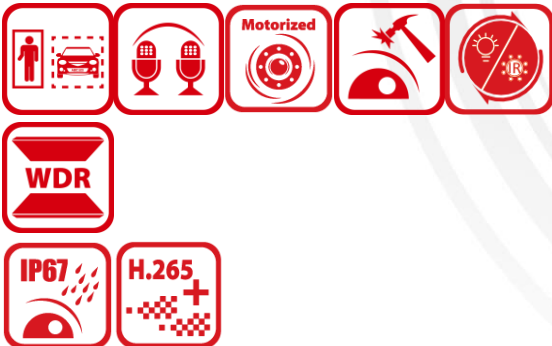


## DS-2CD3663G2-LIZSU

6 MP Acusense Smart Hybrid Light Varifocal Motorized Bullet Network Camera

# AcuSense



Hikvision has been dedicated to develop products with security since established. Hikvision always follows security by design principle and has adopted many methods of security technologies into our product development lifecycle, including terminal security, data security, application security, network security, and privacy protection. In the meantime, the security technologies used by Hikvision are all in compliance with local applicable laws and safety regulations. These security measures could enhance product's cyber security protection capability and protect your devices as well as your data from malicious cyber attacks.

- High quality imaging with 6 MP resolution
- Acusense: Focus on human and vehicle classification based on deep learning
- Smart Hybrid Light: Integrates IR and White lights, 3 supplemental lighting modes
- Built-in arrayed dual-microphone for real-time high quality audio security
- Clear imaging against strong back light due to 120 dB true WDR technology
- Efficient H.265+ compression technology
- Motorized varifocal lens for easy installation and monitoring
- Water and dust resistant (IP67) and vandal-resistant (IK10)

## ▪ Specification

Camera		
Image Sensor	5	1/2.4" Progressive Scan CMOS
Max. Resolution	1	3200 × 1800
Min. Illumination	4	Color: 0.005 Lux @ (F1.6, AGC ON), Black/White: 0 Lux with light
Shutter Time		1/3 s to 1/100,000 s
Day & Night	3	IR cut filter
Angle Adjustment		Pan: 0° to 355°, tilt: 0° to 90°, rotate: 0° to 360°
Lens		
Lens Type		Varifocal lens, motorized lens, 2.7 to 13.5 mm
Focal Length & FOV	6	2.7 to 13.5 mm, horizontal FOV 102.3° to 36.5°, vertical FOV 53.9° to 20.6°, diagonal FOV 122.9° to 41.9°
Lens Mount		Ø14
Iris Type		Auto-iris
Aperture		F1.6
DORI		
DORI		2.7 to 13.5 mm: D: 75.3 m to 201.0 m, O: 29.9 m to 79.8 m, R: 15.1 m to 40.2 m, I: 7.5 m to 20.1 m
Illuminator		
Supplement Light Range		Up to 60 m
Supplement Light Type		IR, White Light
Smart Supplement Light		Yes
IR Wavelength		850 nm
Video		
Main Stream	2	50 Hz: 25 fps (3200 × 1800, 2688 × 1520, 1920 × 1080, 1280 × 720) 60 Hz: 30 fps (3200 × 1800, 2688 × 1520, 1920 × 1080, 1280 × 720)
Sub-Stream		50 Hz: 25 fps (1280 × 720, 640 × 480, 640 × 360) 60 Hz: 30 fps (1280 × 720, 640 × 480, 640 × 360)
Third Stream		50 Hz: 10 fps (1920 × 1080, 1280 × 720, 640 × 480, 640 × 360) 60 Hz: 10 fps (1920 × 1080, 1280 × 720, 640 × 480, 640 × 360) *Third stream is supported under certain settings.
Fourth Stream		50 Hz: 10 fps (1280 × 720, 640 × 480, 640 × 360) 60 Hz: 10 fps (1280 × 720, 640 × 480, 640 × 360) *Fourth stream is supported under certain settings.

Video Compression	10,12	Main stream: H.265/H.264/H.264+/H.265+, Sub-stream: H.265/H.264/MJPEG, Third stream: H.265/H.264, Fourth stream: H.265/H.264/MJPEG, *Third stream and fourth stream are supported under certain settings.
Video Bit Rate		32 Kbps to 16 Mbps
H.264 Type		Baseline Profile, Main Profile, High Profile
H.265 Type		Main Profile
Scalable Video Coding (SVC)		H.264 and H.265 encoding
Bit Rate Control		CBR, VBR
Region of Interest (ROI)		5 fixed regions for main stream and sub-stream
Target Cropping		Yes
<b>Audio</b>		
Audio Compression		G.711/G.722.1/G.726/MP2L2/PCM/MP3/AAC-LC
Audio Bit Rate		64 Kbps (G.711ulaw/G.711alaw)/16 Kbps (G.722.1)/16 Kbps (G.726)/32 to 192 Kbps (MP2L2)/8 to 320 Kbps (MP3)/16 to 64 Kbps (AAC-LC)
Audio Sampling Rate		8 kHz/16 kHz/32 kHz/48 kHz
Environment Noise Filtering		Yes
<b>Network</b>		
Protocols	17	TCP/IP, ICMP, HTTP, HTTPS, FTP, DHCP, DNS, DDNS, RTP, RTSP, RTCP, NTP, UPnP, SMTP, IGMP, IEEE 802.1X, QoS, IPv4, IPv6, UDP, Bonjour, SSL/TLS, PPPoE, SNMP, WebSocket, WebSockets 13
Simultaneous Live View		Up to 6 channels 19
API	11	ONVIF (Profile S, Profile G), ISAPI, SDK, ISUP
Security		Password protection, complicated password, HTTPS encryption, IP address filter, Security Audit Log, basic and digest authentication for HTTP/HTTPS, TLS 1.1/1.2, WSSE and digest authentication for Open Network Video Interface
User/Host		Up to 32 users 3 user levels: administrator, operator, and user
Client		iVMS-4200, Hik-Connect, Hik-Central
Network Storage		NAS (NFS, SMB/CIFS), Auto Network Replenishment (ANR), Together with high-end Hikvision memory card, memory card encryption and health detection are supported.
Web Browser		Plug-in required live view: IE 11, Plug-in free live view: Chrome 80+, Firefox 80+, Edge 89+, Safari 13+, Local service: Chrome 80+, Firefox 80+, Edge 89+, Safari 13+
<b>Image</b>		
Image Parameters Switch		Yes
Day/Night Switch		Day, Night, Auto, Schedule
Wide Dynamic Range (WDR)	9	120 dB
SNR		≥ 52 dB
Image Enhancement		BLC, HLC, 3D DNR
Privacy Mask		8 programmable polygon privacy masks
<b>Interface</b>		
Ethernet Interface	16	1 RJ45 10 M/100 M Base-T self-adaptive Ethernet port

Audio		Built-in Microphone: Arrayed dual-microphone, 1 input (line in), two-core terminal block, max. input amplitude: 3.3 Vpp, input impedance: 4.7 K $\Omega$ , interface type: non-equilibrium, 1 output (line out), two-core terminal block, max. output amplitude: 3.3 Vpp, output impedance: 100 $\Omega$ , interface type: non-equilibrium
On-Board Storage	18	Built-in memory card slot, support microSD/microSDHC/microSDXC card, up to 512 GB
Alarm		1 input, 1 output (max. 24 VDC/24 VAC, 1 A)
Reset Key		Yes
<b>Event</b>		
Basic Event	7	Motion detection (support alarm triggering by specified target types (human and vehicle)), video tampering alarm, exception
Smart Event	8.3	Unattended baggage detection, object removal detection, loitering detection, people gathering detection, fast moving detection, parking detection, video quality diagnosis
Linkage		Upload to FTP/NAS/memory card, notify surveillance center, send email, trigger alarm output, trigger recording, trigger capture
<b>Deep Learning Function</b>		
Face Capture		Yes 8.2 8.1
Perimeter Protection		Line crossing, intrusion, region entrance, region exiting Support alarm triggering by specified target types (human and vehicle)
<b>General</b>		
Power	16	12 VDC $\pm$ 25%, 1.08 A, max. 13 W, $\varnothing$ 5.5 mm coaxial power plug PoE: IEEE 802.3at, Class 4, max. 15 W
Material		Aluminum alloy body
Dimension		332.8 mm $\times$ 97.9 mm $\times$ 94.2 mm (13.1" $\times$ 3.9" $\times$ 3.7")
Package Dimension		385 mm $\times$ 190 mm $\times$ 180 mm (15.2" $\times$ 7.5" $\times$ 7.1")
Weight		Approx. 1510 g (3.3 lb.)
With Package Weight		Approx. 2340 g (5.2 lb.)
Storage Conditions		-30 $^{\circ}$ C to 60 $^{\circ}$ C (-22 $^{\circ}$ F to 140 $^{\circ}$ F). Humidity 95% or less (non-condensing)
Startup and Operating Conditions	15	-30 $^{\circ}$ C to 60 $^{\circ}$ C (-22 $^{\circ}$ F to 140 $^{\circ}$ F). Humidity 95% or less (non-condensing)
Language		33 languages: English, Russian, Estonian, Bulgarian, Hungarian, Greek, German, Italian, Czech, Slovak, French, Polish, Dutch, Portuguese, Spanish, Romanian, Danish, Swedish, Norwegian, Finnish, Croatian, Slovenian, Serbian, Turkish, Korean, Traditional Chinese, Thai, Vietnamese, Japanese, Latvian, Lithuanian, Portuguese (Brazil), Ukrainian
General Function		Heartbeat, mirror, flash log, password reset via email, pixel counter, anti-banding
<b>Approval</b>		
EMC		CE-EMC: EN 55032:2015+A1:2020, EN 50130-4:2011+A1:2014, EN IEC 61000-3-2:2019+A1:2021, EN 61000-3-3:2013+A1:2019+A2:2021, RCM: AS/NZS CISPR 32: 2015, IC: ICES-003: Issue 7
Safety	20	UL: UL 62368-1, CB: IEC 62368-1: 2014+A11, CE-LVD: EN 62368-1: 2014/A11: 2017, BIS: IS 13252 (Part 1): 2010/IEC 60950-1: 2005, LOA: IEC/EN 60950-1

Environment	CE-RoHS: 2011/65/EU, WEEE: 2012/19/EU, Reach: Regulation (EC) No 1907/2006
Protection	<b>14</b> <b>IP67</b> : IEC 60529-2013, IK10: IEC 62262:2002

▪ **Typical Application**

Hikvision products are classified into three levels according to their anti-corrosion performance. Refer to the following description to choose for your using environment.

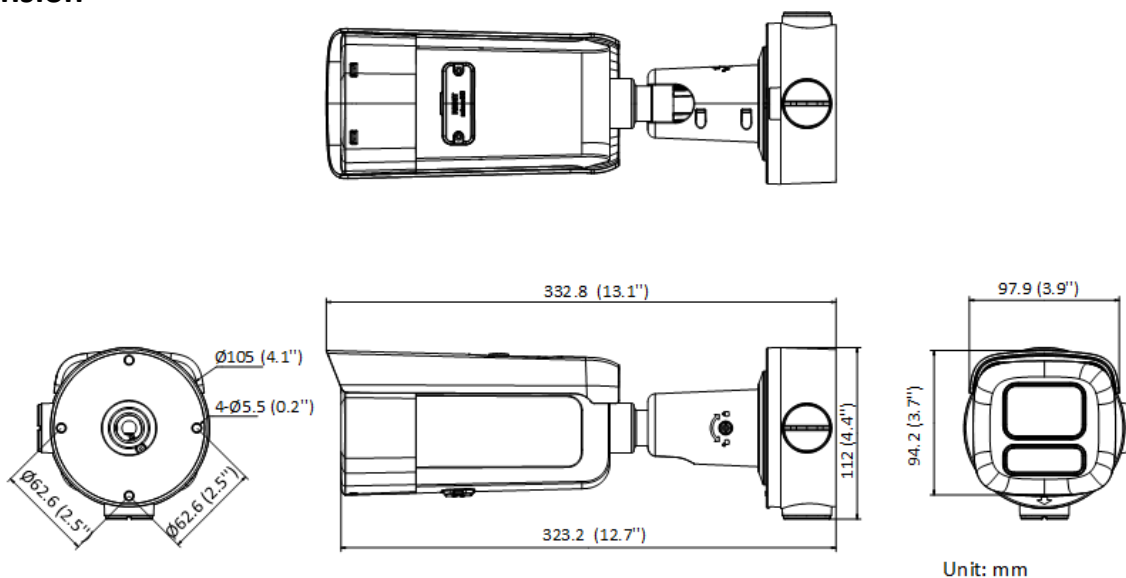
This model has NO SPECIFIC PROTECTION.

Level	Description
Top-level protection	Hikvision products at this level are equipped for use in areas where professional anti-corrosion protection is a must. Typical application scenarios include coastlines, docks, chemical plants, and more.
Moderate protection	Hikvision products at this level are equipped for use in areas with moderate anti-corrosion demands. Typical application scenarios include coastal areas about 2 kilometers (1.24 miles) away from coastlines, as well as areas affected by acid rain.
No specific protection	Hikvision products at this level are equipped for use in areas where no specific anti-corrosion protection is needed.

▪ **Available Model**

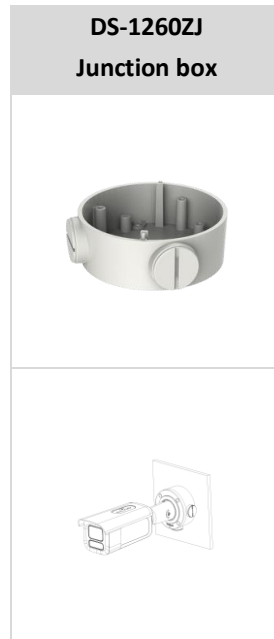
DS-2CD3663G2-LIZSU(2.7-13.5mm)

▪ **Dimension**





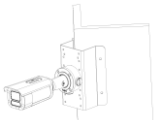



▪ **Accessory**

▪ **Included**



▪ **Optional**

DS-1275ZJ-SUS Vertical pole mount	DS-1276ZJ-SUS Corner mount	DS-1275ZJ-S-SUS Vertical pole mount
		
		

**Headquarters**

No.555 Qianmo Road, Binjiang District,  
Hangzhou 310051, China  
T +86-571-8807-5998  
www.hikvision.com



Follow us on social media to get the latest product and solution information.

