

DS-3TL0508D-U 8-Port Gigabit Plastic Switch



DS-3TL0508D-U provides eight 10/100/1000 Mbps Ethernet ports which support line speed forwarding. With simple and miniexquisite body, the switch is plug and play and easy to use, suitable for home, school, dormitory, office, small monitoring and other simple network environments.

- 8 x 10/100/1000 Mbps ethernet port
- Supports MDI/MDIX
- Store-and-forward switching
- Supports MAC address auto-learning and aging
- Simple, compact body design
- Supports desktop and wall-mounting installation
- Plug & play, easy to use.

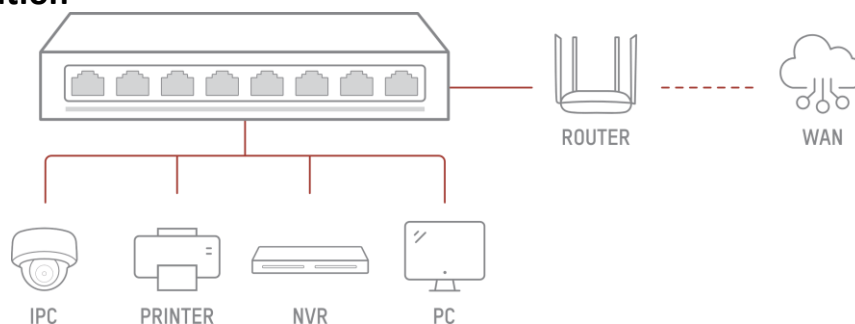
▪ Specification

General	
Shell	ABS
Net Weight	0.093 kg (0.205 lb)
Dimensions (W × H × D)	124.00 mm × 25.00 mm × 61.00 mm (4.88" × 0.98" × 2.40")
Operating Temperature	0 °C to 40 °C (32 °F to 104 °F)
Storage Temperature	−40 °C to 85 °C (−40 °F to 185 °F)
Operating Humidity	5% to 95% (no condensation)
Relative Humidity	5% to 95% (no condensation)
Power Supply	5 V DC, 1 A
Installation Mode	Desk-Mounted
Max. Power Consumption	5 W
Surge Protection	2 kV
Network Parameters	
Ports	8 × Gigabit RJ45 port
MAC Address Table	4 K
Switching Capacity	16 Gbps
Packet Forwarding Rate	11.90 Mpps
Internal Cache	1.5 Mbits
Approval	
EMC	CE-EMC (EN 55032: 2015+A11: 2020, EN IEC 61000-3-2: 2019, EN 61000-3-3: 2013+A1: 2019, EN 50130-4: 2011+A1: 2014, EN 55035: 2017+A11: 2020), IC (ICES-003: Issue 7:2020), RCM (AS/NZS CISPR 32: 2015)
Safety	CB (AMD1:2009, AMD2:2013, IEC 62368-1: 2014 (Second Edition), CE-LVD (EN 62368-1: 2014+A11: 2017)
Chemistry	CE-RoHS (2011/65/EU), WEEE (2012/19/EU), Reach (Regulation (EC) No.1907/2006)

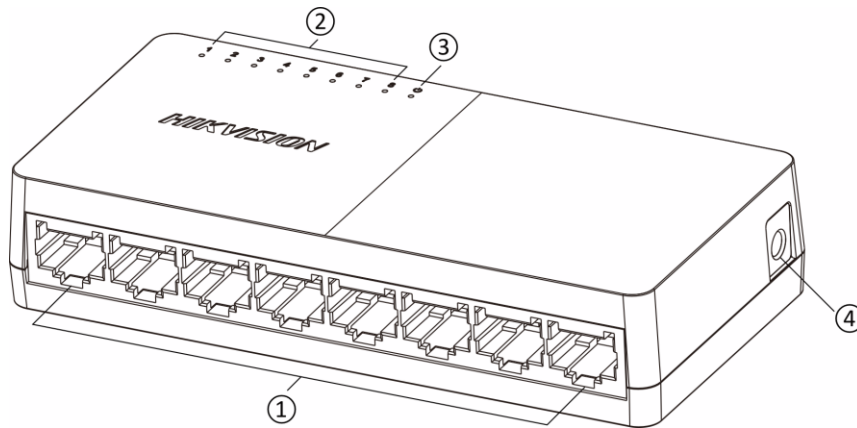
▪ Available Model

DS-3TL0508D-U

▪ Typical Application

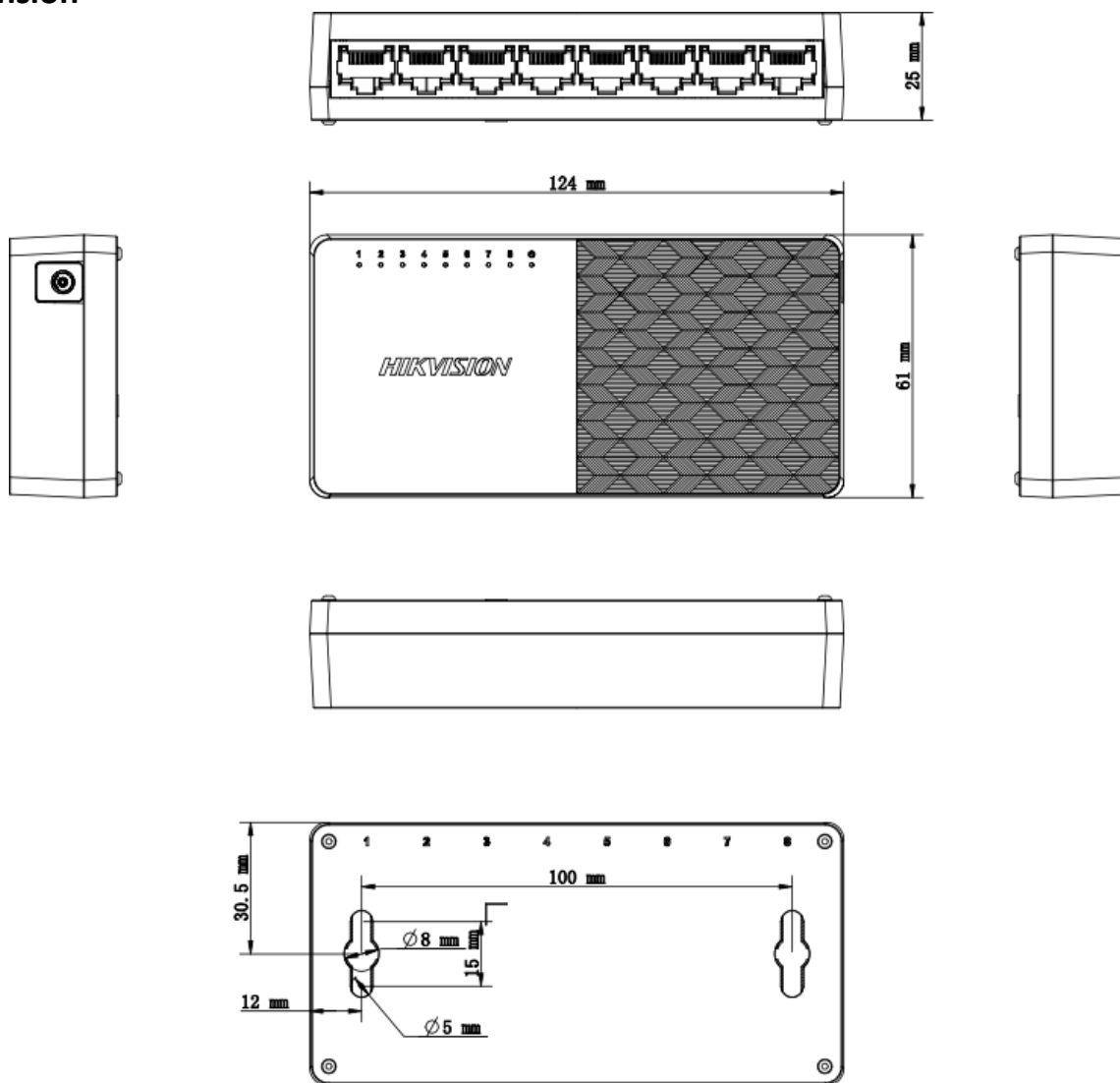


▪ **Physical Interface**



No.	Indicator/Port	Description
①	Gigabit RJ45 Port	Used for connection to another device via a network cable.
②	LINK/ACT Indicator	Indicates the statuses of Gigabit RJ45 ports 1 to 8.
③	PWR Indicator	Indicates the power status of the switch.
④	Power Supply	Use the attached power adapter or power cord to connect the switch to a socket.

▪ Dimension



Headquarters

No.555 Qianmo Road, Binjiang District,
Hangzhou 310051, China
T +86-571-8807-5998
www.hikvision.com



Follow us on social media to get the latest product and solution information.

